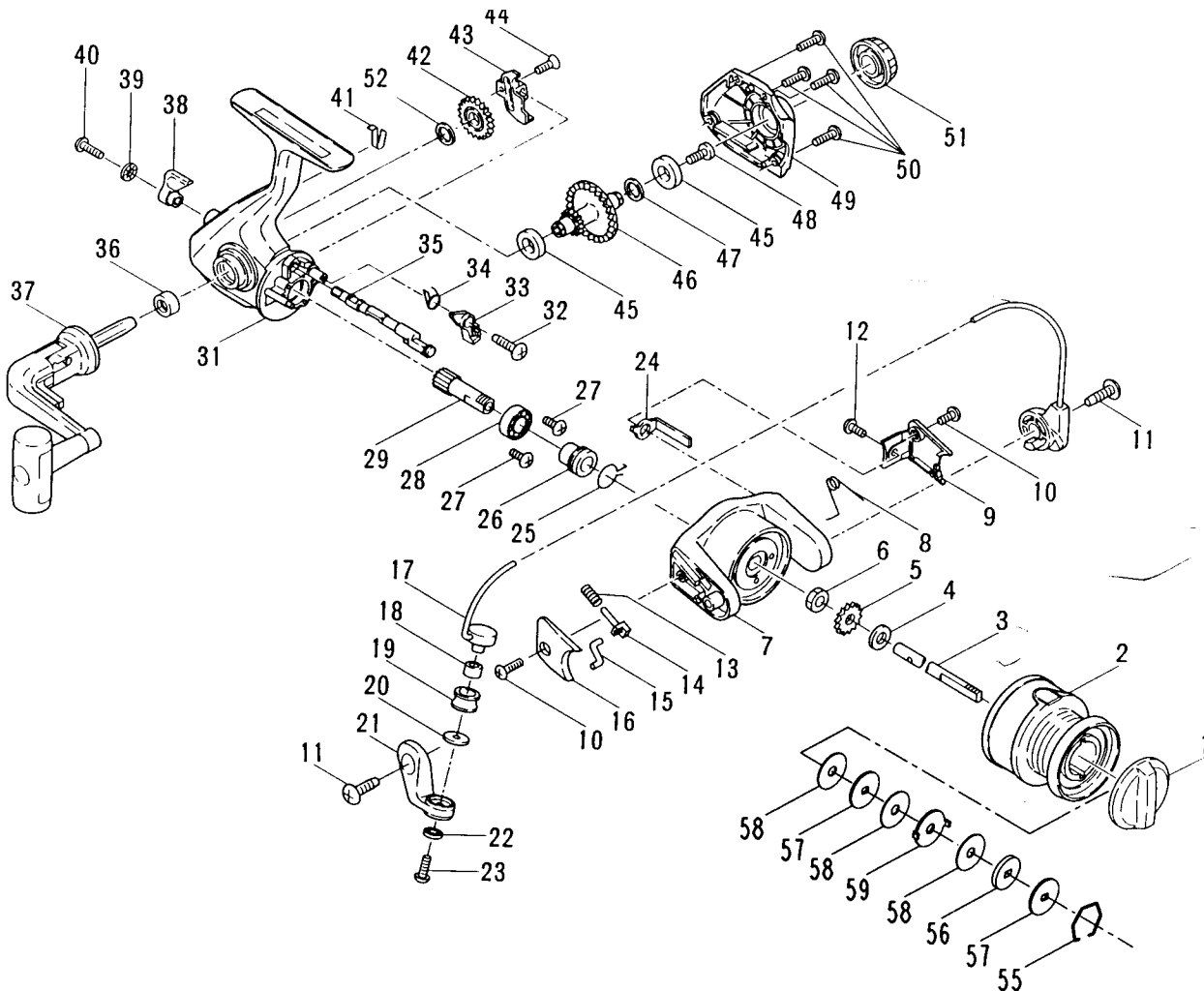




## PARTS AND PRICE LIST FOR MODEL 2000



Key No.	Part No.	Description	Price	Key No.	Part No.	Description	Price
1	52-1500	Drag Knob Asm. w/Spring	\$5.35	31	1-2000	Housing	\$11.00
2	47-2000	Spool Assembly	22.00	32	3-1500	Dog Mounting Screw	.50
3	39-2000	Spool Shaft	4.25	33	4-1500	Anti-Reverse Dog	.80
4	60-1500	Thrust Washer	.45	34	4A-1500	Dog Spring	.80
5	40B-2000	Click Ratchet	.80	35	6A-1500	Eccentric Shaft	2.15
6	38-1000	Rotor Nut	.45	36	15A-1000	Handle Spacer	.40
7	27-2000	Rotor Cup	8.25	37	15-1000	Handle Assembly	10.00
8	106-2000	Cam Lever Spring	.50	38	6E-1000	Eccentric Lever	.45
9	227-2000	Cam Lever Cover	1.50	39	6G-1000	Thrust Washer	.40
10	50-1000	Cover Screw (2)	.40	40	6F-1000	Ecc. Lever Mounting Screw	.40
11	31A-1000	Arm Screw (2)	.45	41	6D-1000	Ecc. Shaft Spring	.45
12	28B-1500	Cam Lever Mtg. Screw	.40	42	231-1500	Crosswind Gear	1.00
13	34C-1500	Pivot Spring	.45	43	43-1500	Crosswind Block	1.10
14	34B-1000	Pivot Shaft	.45	44	44-1500	Crosswind Block Screw	.40
15	34A-1500	Pivot Arm	.50	45	2A-1000	Cover & Housing Bushing (2)	1.05
16	27A-2000	Bail Pivot Cover	2.25	46	8-1500	Main Gear	3.50
17	24-2000	Bail Wire Assembly	7.25	47	8A-1500	Main Gear Shim	.40
18	35A-1000	Line Roller Bushing	.45	48	9A-1000	Standard Drive Screw	.90
19	35-1000	Line Roller	2.25	49	45-2000	Housing Cover	5.50
20	132-1000	Roller Washer	.80	50	46-1000	Cover Screw (4)	.40
21	34-1500	Bail Arm	2.25	51	233-1000	Bearing Cover	2.15
22	22A-875	Washer	.50	52	231A-1500	Crosswind Gear Shim	.40
23	36-1000	Bail Stud Screw	.40	**53	48-2000	Spool Click Tongue	.45
24	28A-2000	Cam Lever	1.05	**54	22-1000	Click Tongue Screw	.50
25	230-1500	Silent Dog Spring	.45	55	51-1000	Drag Retaining Ring	.40
26	19A-1500	Pinion Spacer	.50	56	52A-1000	Drag Washer (Thick)	.40
27	23-1000	Bearing Mtg. Screw (2)	.45	57	57-1000	Keyed Drag Washer (2)	.50
28	20-1000	Ball Bearing	7.50	58	6-1000	Teflon Drag Washer (3)	.50
29	19-1500	Pinion Gear	4.00	59	58-1000	Ear Drag Washer (1)	.60